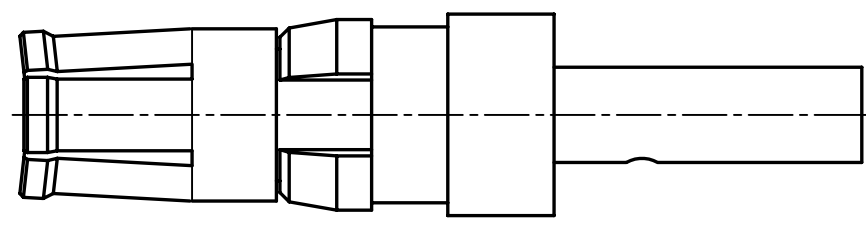
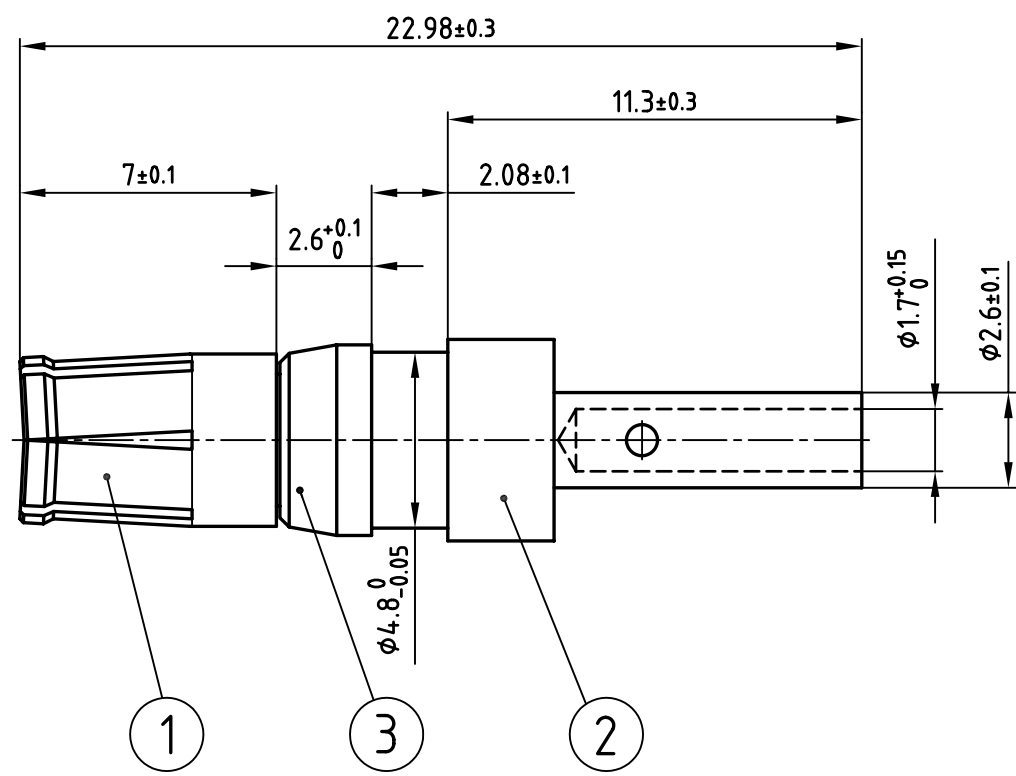


used for: D-SUB COMBINATION



**NOTES:**

- 1. MATERIAL: COPPER ALLOY
- 2. PLATING:  
 ITEM 1: min. 30µ" HARD GOLD OVER min. 50µ" NICKEL  
 ITEM 2: min. 8µ" HARD GOLD OVER min. 50µ" NICKEL  
 ITEM 3: NICKEL PLATED

Directive 2002/95/EC  
 „RoHS“  
 Compliant

THIS DRAWING MAY NOT BE COPIED OR REPRODUCED IN ANY WAY, AND MAY NOT BE PASSED ON TO A THIRD PARTY WITHOUT WRITTEN PERMISSION.  
 OWNERSHIP AND COPYRIGHT OF CONEC GmbH  
 DO NOT ALTER CAD DRAWING BY HAND

tolerance		ISO 2768-m			
1998	date	name			
drawn	23.03.	Barcinski			
appd.	23.03.	Mickenbecker			
norm					
d-old	SK211H20				
rev.		description		date	
name					

scale:	5:1	
material:	SEE NOTES	
title:	HIGH POWER CONTACT FEMALE CRIMP VERSION 10A D-SUB COMBINATION	
dwg no:	CAD/ REL.13	DIN-A
	13K11E7A	4
product no:	132C11019X	
		sh: 1/1